

TRUSS HANGER

Description

Made in France, the Easytop truss hanger is a solution specifically designed for attic insulation, whether converted or unconverted. It allows the vapor barrier membrane to be secured while creating a space ranging from 30 mm to 80 mm.

Products Features

- **Reinforced Composite Material:** The hanger is made of reinforced composite material, providing excellent mechanical strength and long-term durability.
- **Adjustable:** The Easytop truss hanger simplifies membrane attachment while creating an adjustable insulation gap ranging from 30 to 80 mm.
- **Compatibility:** Compatible with 45 mm and 47 mm furring strips, it perfectly adapts to various configurations.

Informations

Réf	Designation	Building Type	Ins. thickness	Pack.	Dimensions	Weight (KG)	Pack/Pallet	Public Price	EAN Code
03034	Truss Hanger	Renovation/new	30-80	50 pcs.	230 x 230 x 160	1.951	150	72.90€	3760324606087

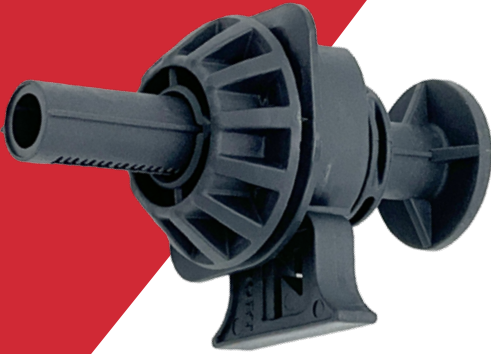


TRUSS HANGER

► Products Features :

Our Easytop Truss Hanger is designed for insulating converted or unconverted attics with industrial framing.

- It allows for the creation of a technical space or the addition of a second layer of insulation.
- It also helps reduce thermal bridging.



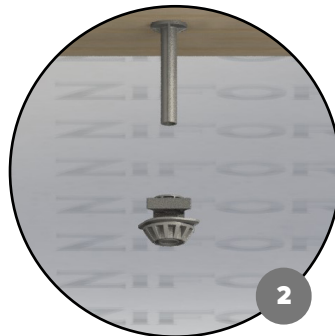
Advantages :

- Ergonomics and ease of installation
- Excellent membrane support
- Creation of a technical space

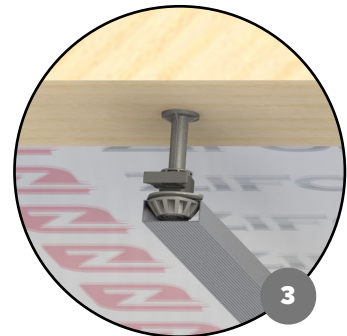
Applications



1. Attach the rod



2. Adjust the head



Final



Watch the videos

