

SIMPLE HANGER

Description

Made in France, the EasyTop Simple Hanger is a suspension solution designed for insulating converted attics, offering easy installation and durability.

Products Features

- **Reinforced Composite Material:** The hanger is made from composite material, reinforced with 50% fiberglass, ensuring excellent mechanical strength and long-term durability.
- **Air-tightness:** Thanks to its design, the Easytop hanger guarantees complete air-tightness, essential for optimal thermal insulation in attics.
- **Available Dimensions:**

The EasyTop hanger is available in several sizes, allowing it to adapt to the specific needs of each project:

- **12-16cm**
- **16-20cm**
- **20-24cm**
- **24-28cm**

Informations

Réf	Designation	Building Type	Ins. Thickness	Pack	Dimensions	Weight (KG)	Pack/Pallet	Public Price	EAN Code
03028	Simple Hanger EasyTop 12-16	Renovation/New	120-160	50	370x220x160	4.001	99	93,40€	3760324606131
03029	Simple Hanger EasyTop 16-20	Renovation/New	160-200	50	370x220x160	4.301	99	95,40€	3760324606124
03030	Simple Hanger EasyTop 20-24	Renovation/New	200-240	50	370x220x160	4.601	99	96,40€	3760324606117
03031	Simple Hanger EasyTop 24-28	Renovation/New	240-280	50	370x220x160	4.901	99	98,40€	3760324606100

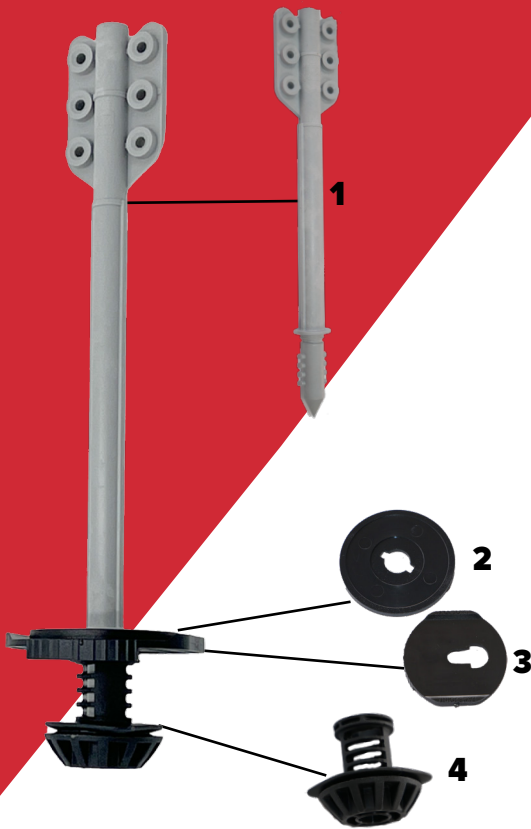
SIMPLE HANGER

► Products Features

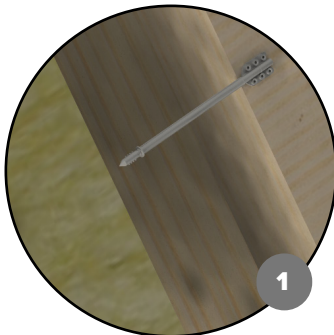
- 1 Rod :**
Excellent hold on the rafter thanks to the retention grooves on the back.
- 2 3 Counter-joint et joint**
Excellent membrane support
- 4 Head of products**
Air-tightness ensured: Quick installation.

Advantages :

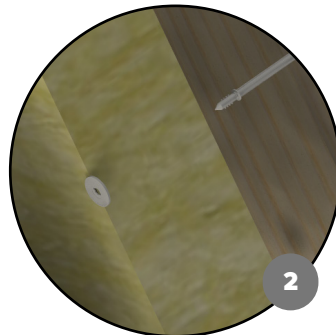
- Reduction of thermal bridging
- Excellent support for insulation and the membrane
- Ergonomics and ease of installation
- Removable system
- Multiple sizes available



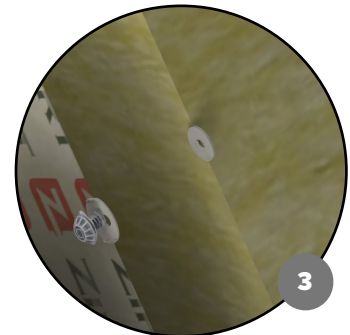
Applications



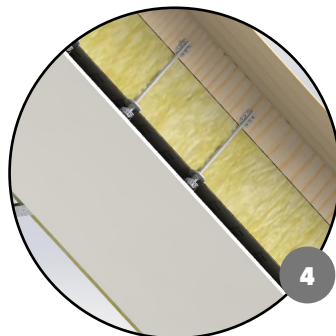
1. Attach the rod.
2. Install the insulation.



3. Clip the counter-joint into



4. Install the membrane.
5. Position the joint.
6. Attach the head.



Final



Watch the videos