

MULTICONNECT CONNECTOR

Description

Manufactured in France, the Multiconnect connector is designed to secure metal rails in attics. It can be used vertically to assemble three rails or perpendicularly by bending at 90° to hold two rails.

Product Features :

- **Versatility :** It bends at 90° in both directions, allowing the Multiconnect connector to adapt to various installations methods on rails.
- **Compatibility :** Suitable for 45mm and 47mm rails, making it ideal for a variety of configurations
- Perfect for windows frames or connections between upright walls and sloping ceilings in attics.

Informations

Réf	Designation	Building Type	Pack	Dimensions	Weight (KG)	Pack / pallet	Public Price (excl. VAT)	EAN Code
03033	Multiconnect Connector	Renovation/new	25 pcs.	230 x 230 x 160	1.551	150	48.15€	3760324606087

CONNECTEUR MULTICONNECT



Applications :

Our Multiconnect Connector allows the connection of 2 or 3 rails :

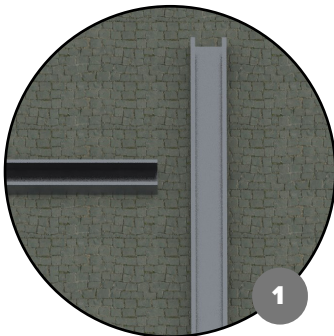
- Connecting rails for special assemblies.
- Splicing or joining rails.
- Handling angles and changes in planes.

Can be bent to the desired angle thanks to its metallic core.

Applications

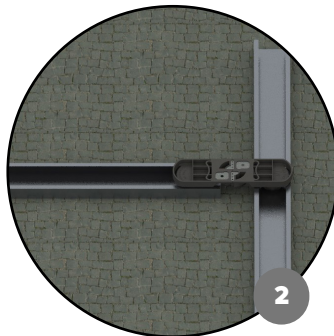
Advantages :

- Easy installation without screws or tools.
- Effortless clipping onto rails.
- Made from a durable, long-lasting material.
- No added Thickness on the rails.



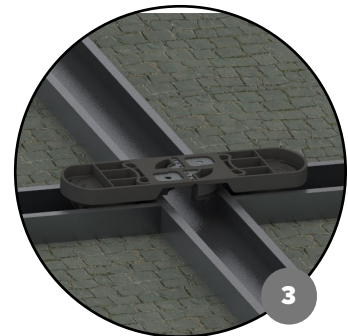
1

1. Arrange the rails you want to connect



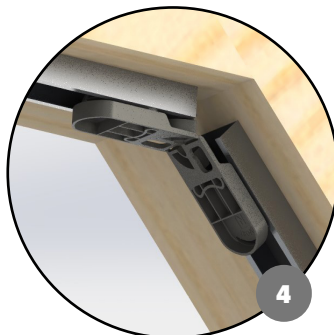
2

2. Place the connector
3. Clip the connector



3

Multiple solutions



4

Multiple solutions



Watch the videos