



SUPPORT EASYFIX

Description

Reducer of thermal bridges, the Easyfix intermediate support is made of composite material. Consisting of a rod and an adjustable head, it is compatible with F45 and F47 furs. The intermediate support allows the fixing of the insulation on the metal furring

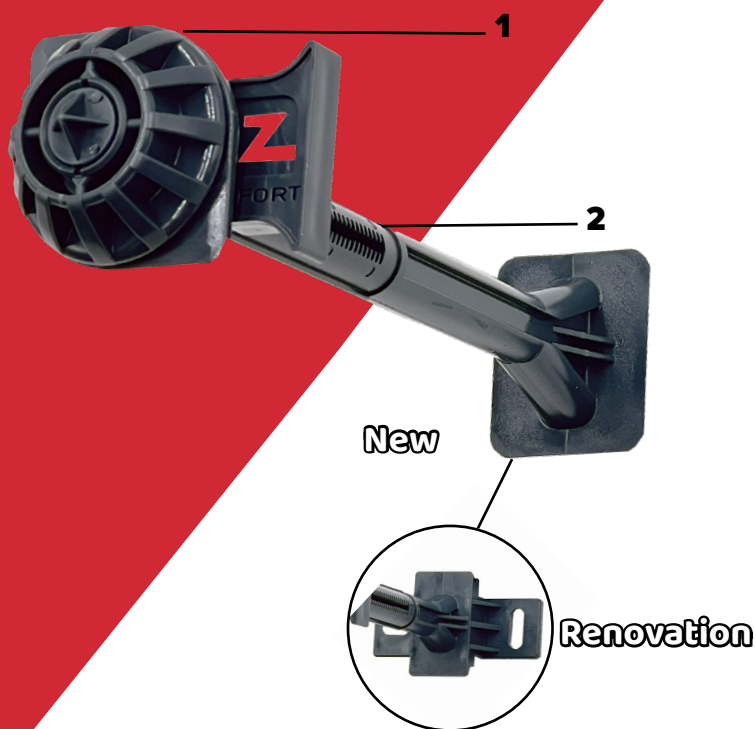
Product Features

- **Composite Material:** The support is made from composite material, ensuring excellent mechanical strength and long-term durability.
- **Locking System:** The Easyfix support clips securely and effortlessly into the rail.
- **Available Sizes:** Easyfix is available in various sizes to meet the specific needs of each project.

Informations

Réf	Désignation	Building Type	Insulation Rail (mm)	Wool Thickness	Pack.	Weight (kg)	Dimensions (mm)	Pack / Pallet	Price (excl.VAT)	EAN Code
03019	Appui Easyfix 15-45	Renovation/new	50-90	15-60	50 pcs	2.051	320 X 230 X 170	120	80.30 €	3760324604526
03020	Appui Easyfix 75-160	Renovation/neuw	≤à 205	75-160	40 pcs	2.411	320 X 230 X 170	120	71.52€	3760324604533
03021	Appui Easyfix 75	New	95-110	60-85	50 pcs	2.051	320 X 230 X 170	120	82.90€	3760324604540
03022	Appui Easyfix 100	New	115-130	85-100	50 pcs	2.201	320 X 230 X 170	120	84.00€	3760324604557
03023	Appui Easyfix 120	New	140-155	100-120	50 pcs	2.331	320 X 230 X 170	120	82.50€	3760324604564
03024	Appui Easyfix 140	New	170-180	120-140	50 pcs	2.501	320 X 230 X 170	120	90.70€	3760324604571
03025	Appui Easyfix 200	New	170-230	140-200	40 pcs	2.531	320 X 230 X 170	120	73.60€	3760324604588

INTERMEDIARY SUPPORT



Technical Features :

1 Locking Head :
Compatible with F45 and F47 rails
High resistance to pulling and impacts.
Repositionable without tools.
Thermal bridge breaker.

2 Rod :
Notched for precise and fine adjustment.
Reinforced composite material.

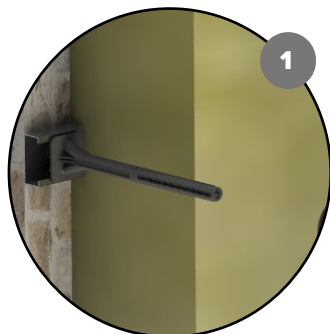
Installation Options :

Clips onto rails
Fits all wall types : cinder block, concrete, brick and wood.

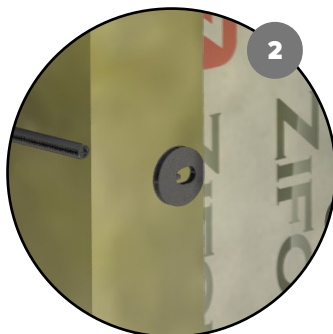
Advantages :

- No thermal bridges.
- Compatible with all wall types.
- Clips onto all rail types.
- Ergonomic and intuitive design.

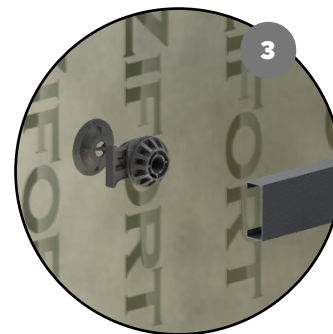
Applications



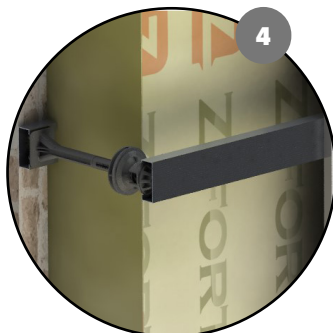
1. Attach the support to the rail or wall
2. Install the insulation wool



3. Clip the joint
4. Install the membrane



5. Position the RT Easyfix washer
6. Adjust and lock the head



Final



Watch the video