

TECHNICAL SHEET



BETIUM TILE BLUE

Product reference : 03012

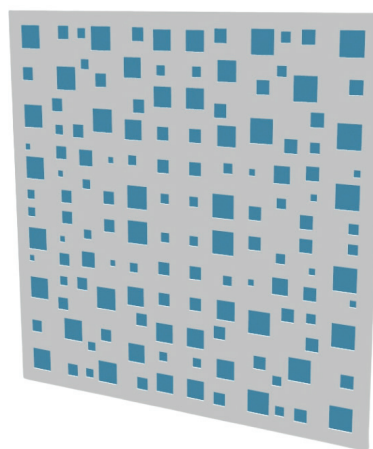
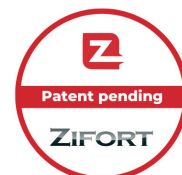
EAN code : 3760324604731



3 760324 604731

DESCRIPTION

Both stylish and practical, Betium tiles are available in different colours. They have many advantages such as resistance to temperature changes and humidity.



CHARACTERISTIC

- Weight: 3.65 kg/m²
- Thickness: 13.5 mm
- Size: 600x600 mm
- 23% Perforation
- A(w) plenum of 200mm with 200mm of LM: 0.80
- A(w) plenum of 200 mm without LM: 0.55

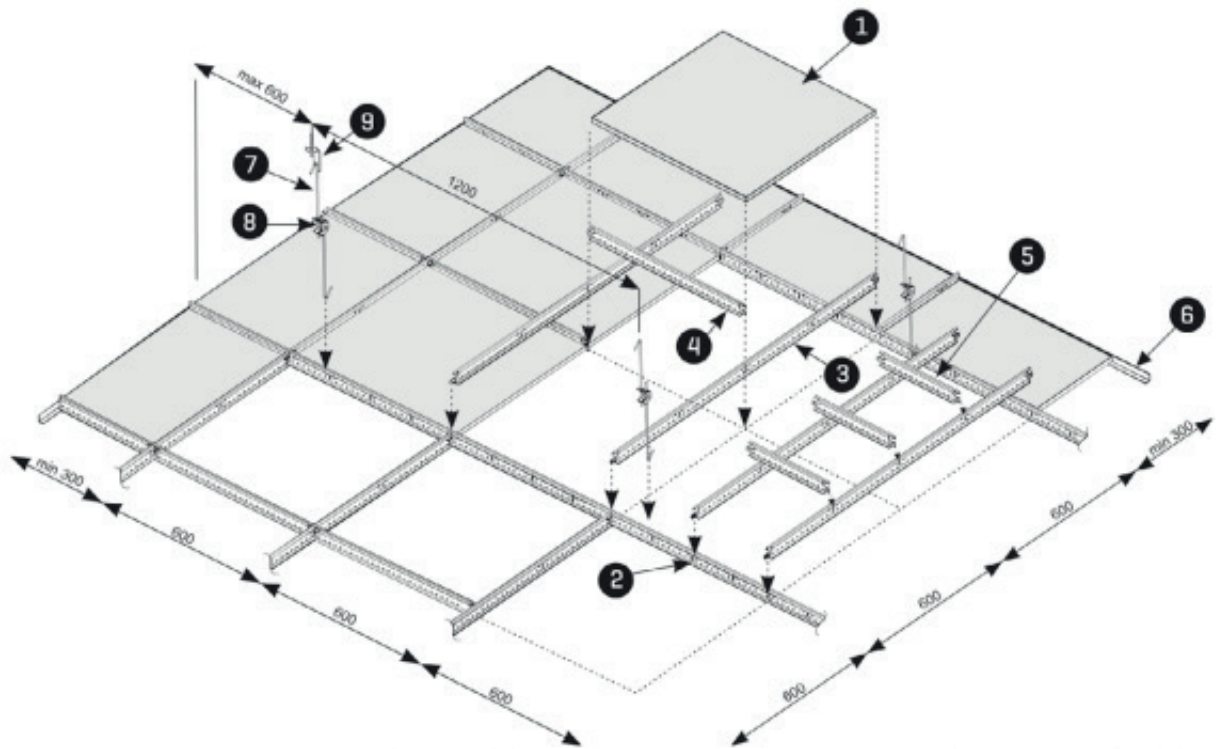
OUR ADVANTAGES

- No emission of toxic substances
- Maintains easy access to the plenum
- Easy to maintain
- Wide choice of colors

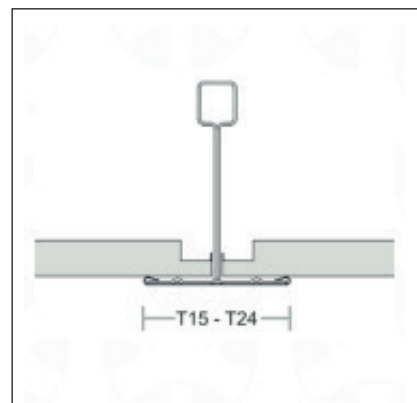
Ref.	Name	Type of frame	Packaging	Box	L x l x h (mm)	Weight (kg)	Crt./pallet	Public price (m ² /HT)	EAN Code
03012	Tile Betium Blue	Apparent	18 pcs. / 6.48 m ²	ZC02	610 x 610 x 250	23.76	12	31.64 €	3760324604731

IMPLEMENTATION

- Requires air circulation between the plenum and the premises to balance pressure and temperature
- Complies with the requirements of DTU 58.1
- Can be cut with a grinder
- T15-T24 frame



- 1 : Tile
- 2 : Carrier 3600 mm
- 3 : Spacer 1200 mm
- 4 : Spacer 600 mm
- 5 : Spacer 300 mm
- 6 : Rim edge L
- 7 : smooth rod
- 8 : rod fitting
- 9 : fixing element



Video link : <https://www.youtube.com/watch?v=4w4FUhbiqoo>